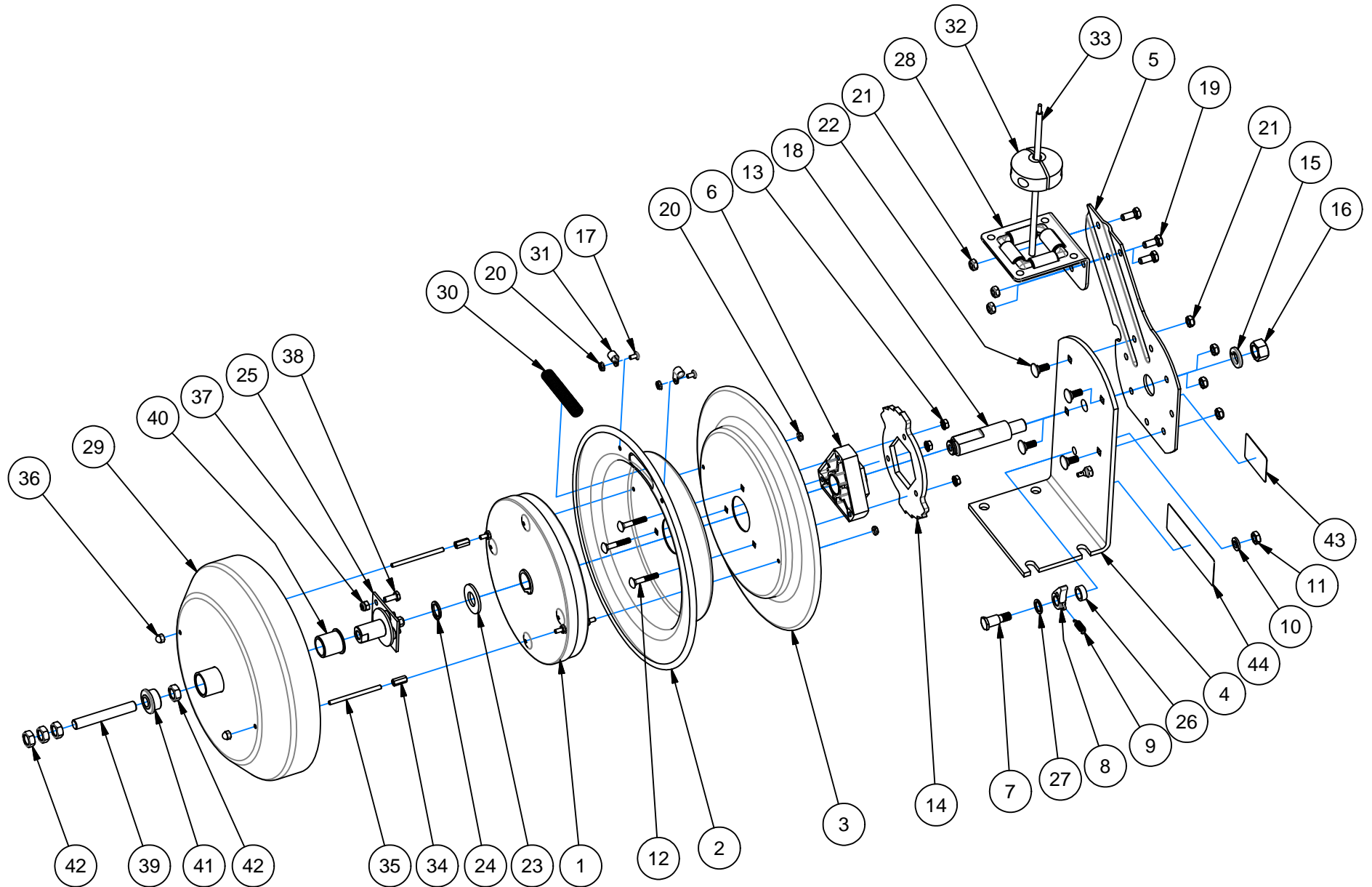


EXP-92

REVISION: -
ECO NO.: -
DRAWN BY: DJORDAN
DATE: 5/6/15

COXREELS P-WC SERIES WELDING CABLE REELS



ITEM NO.	PART NO.	DESCRIPTION	QTY REQ'D
6	1776-3	ASSY., HUB BEARING	1
7	1620	BOLT, SHOULDER, 1/2"x1-1/2"	1
8	640-1-SS	CAM, LOCKING	1
9	274-1-SS	SPRING, DOG	1
10	437	WASHER, LOCK, 3/8"	1
11	184	NUT, JAM, 3/8-16	1
12	1953	CARRIAGE BOLT, 1/4-20 x 1.5	3
13	125	NUT, KEPS, 1/4-20	3
14	1924	LOCKING RING	1
15	438	WASHER, LOCK, 5/8"	1
16	3584	NUT, 5/8-11	1
17	245	SCREW, TRUSS HD. 10-32x3/8"	2
19	312	BOLT, 5/16-18 X 3/4"	3
20	130	NUT, KEPS, 10-32	4
21	111-1	NUT, LOCK, 5/16-18	7

ITEM NO.	PART NO.	DESCRIPTION	QTY REQ'D
22	10220-75	BOLT, CARRIAGE, 5/16-18 X 3/4"	4
25	7678	SLIP RING ASSY	1
26	6440-SS	WASHER, SPACER	1
27	6441-1	WASHER, SPACER	1
34	7163	NUT, COUPLING, 10-32 X 3/4"	2
35	7197	STUD, THREADED, 10-32 X 3"	2
36	7196	NUT, ACORN, 10-32	2
37	7676	NUT, BRASS, 1/4-20	1
38	7675	BOLT, BRASS, 1/4-20	1
39	7884	STUD, COPPER, 3-1/2" LONG	1
40	7673	BEARING, FLANGED	1
41	7671	BEARING, ROLL END	1
42	7674	NUT, BRASS, 1/2"	4
43	10935	LABLE, CORD REEL USE	1
44	10925-5	LABLE, STANDARD PRODUCT	1

ITEM NUMBER

MODEL NO.	ITEM NUMBER													
	1 SPRING	2 DRUM	3 DRUM	4 BASE	5 ARM	18 AXLE	23 WASHER	24 R. RING	28 ROLLER B.	29 COVER	30 GUARD	31 CLAMPS	32 BALL STOP	33 CABLE
P-WC13-3506	1960-1	7192	140-1	1954	1732-1	1956	1755-1	1753	1728-2	7886	237-2	7199-2	131	7897-35
P-WC13-5006	1960	7192	140-1	1954	1732-1	1956	1755-1	1753	1728-2	7886	237-2	7199-2	131	7897-50
P-WC13-3504	1960-1	7192	140-1	1954	1732-1	1956	1755-1	1753	1728-2	7886	237-2	7199-1	131	7896-35
P-WC13-5004	1960	7192	140-1	1954	1732-1	1956	1755-1	1753	1728-2	7886	237-2	7199-1	131	7896-50
P-WC13-3502	1960-1	7192	140-1	1954	1732-1	1956	1755-1	1753	1728-2	7886	237-2	7199	131	7895-35
P-WC17-5002	7887	7193	1947	1970	1732-2	1956	1755-1	1753	1728-3	7881	237-2	7199	131	7895-50
P-WC13-2501	1960-1	7192	140-1	1954	1732-1	1956	1755-1	1753	1728-2	7886	237-1	2169	131	7894-25
P-WC17-5001	7887	7193	1947	1970	1732-2	1956	1755-1	1753	1728-3	7881	237-1	2169	131	7894-50
P-WC13-2510	1960-1	7192	140-1	1954	1732-1	1956	1755-1	1753	1728-2	7886	237-1	115	131	7682-25
P-WC17-5010	7887	7193	1947	1970	1732-2	1956	1755-1	1753	1728-3	7881	237-1	115	131	7682-50
P-WC17-3520	7887	7193	1947	1970	1732-2	1956	1755-1	1753	1728-3	7881	237-1	381	131-3	7683-35
P-WC17-5020	7887	7193	1947	1970	1732-2	1956	1755-1	1753	1728-3	7881	237-1	381	131-3	7683-50

* ON "LESS CABLE" MODELS (P-WC13L-/P-WC17L-) EXCLUDE ITEMS #30,#32, AND #33.

REEL ASSEMBLY REPORT R100 (LATCHOUT REMOVAL), R101 (LOCKING RING PLACEMENT), R112 (TIGHTENING AND TORQUING)

REVISION: -

ECO: N/A

DATE:

9/20/2002

NAME: J. KNOSALLA